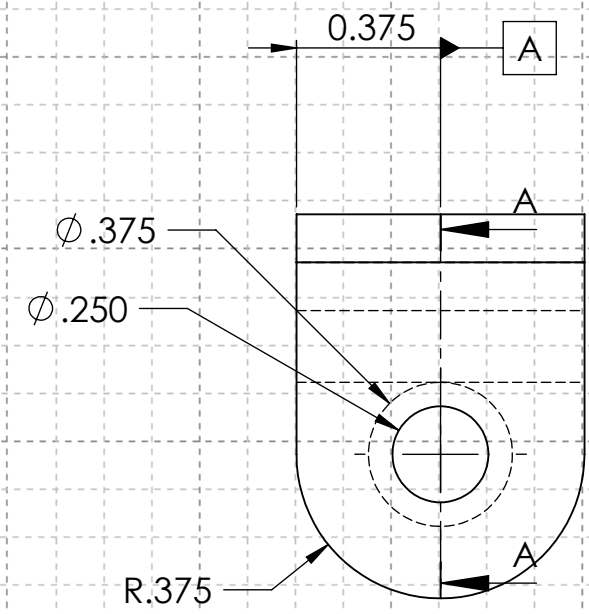
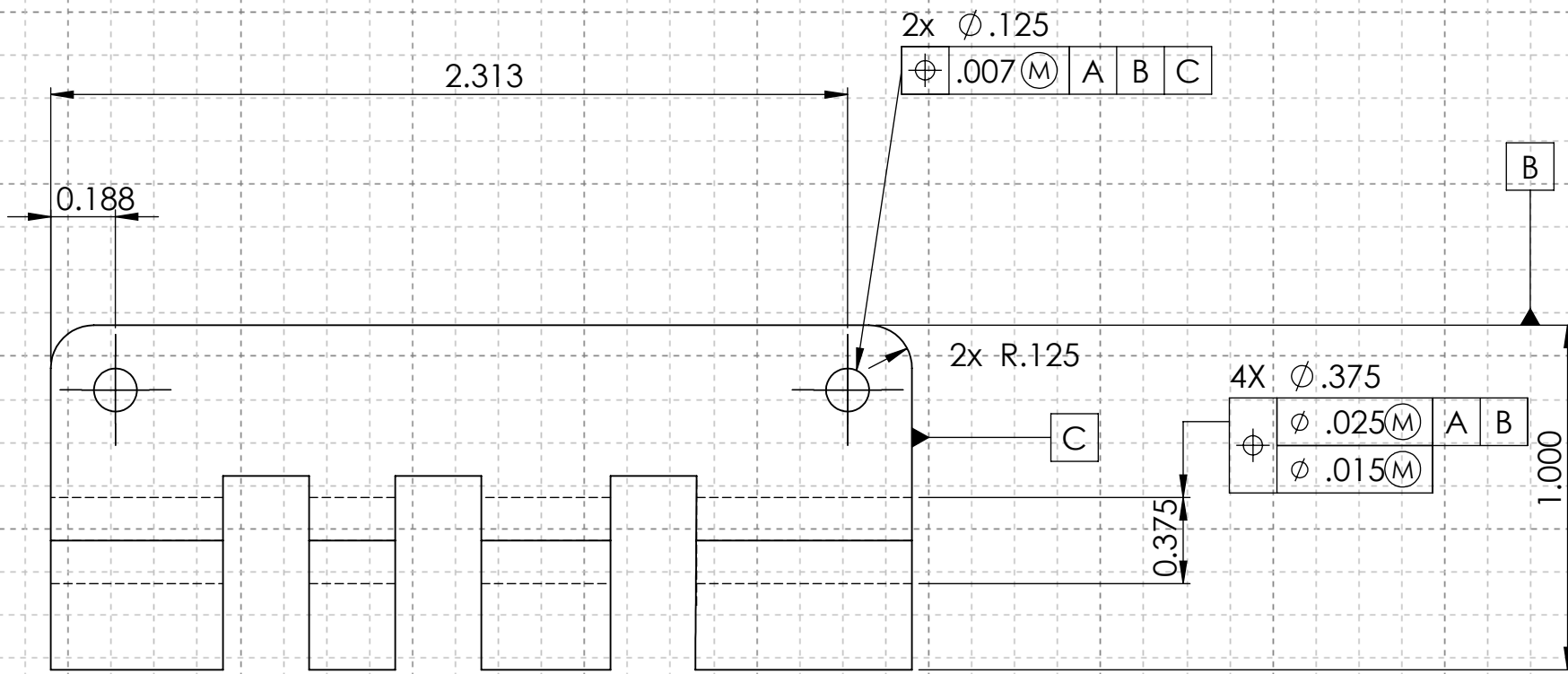


SECTION A-A
SCALE 2:1



BOB GARMAN

12/17/09

FULL

GARMAN
NEW GEN.
INDUSTRIES



MULTI MULTI AND
SECTION PART 296